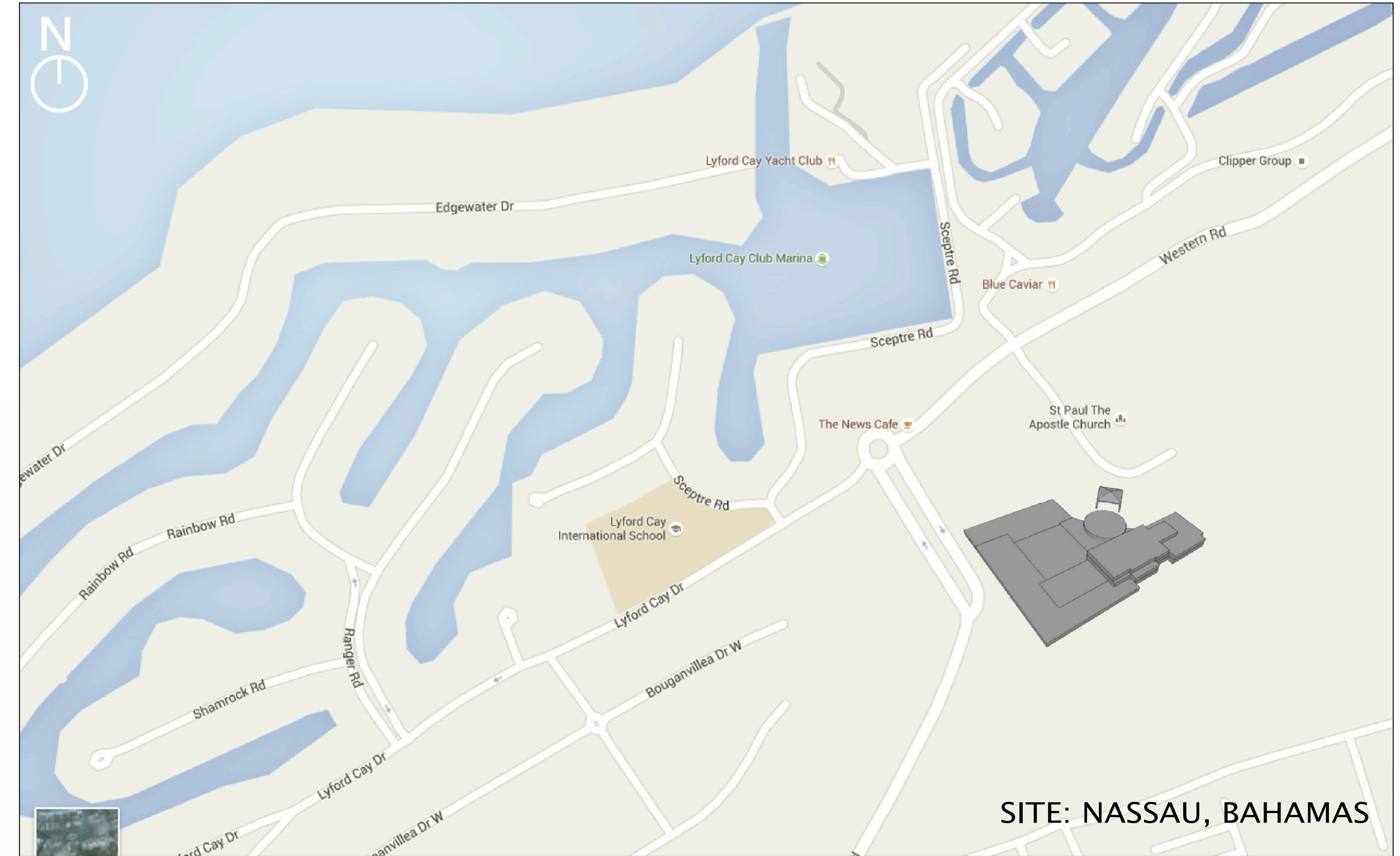


THE ISLAND HOUSE

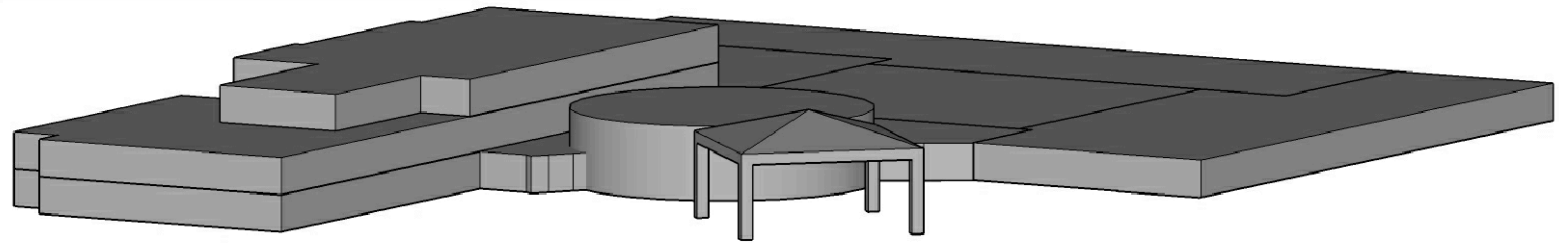
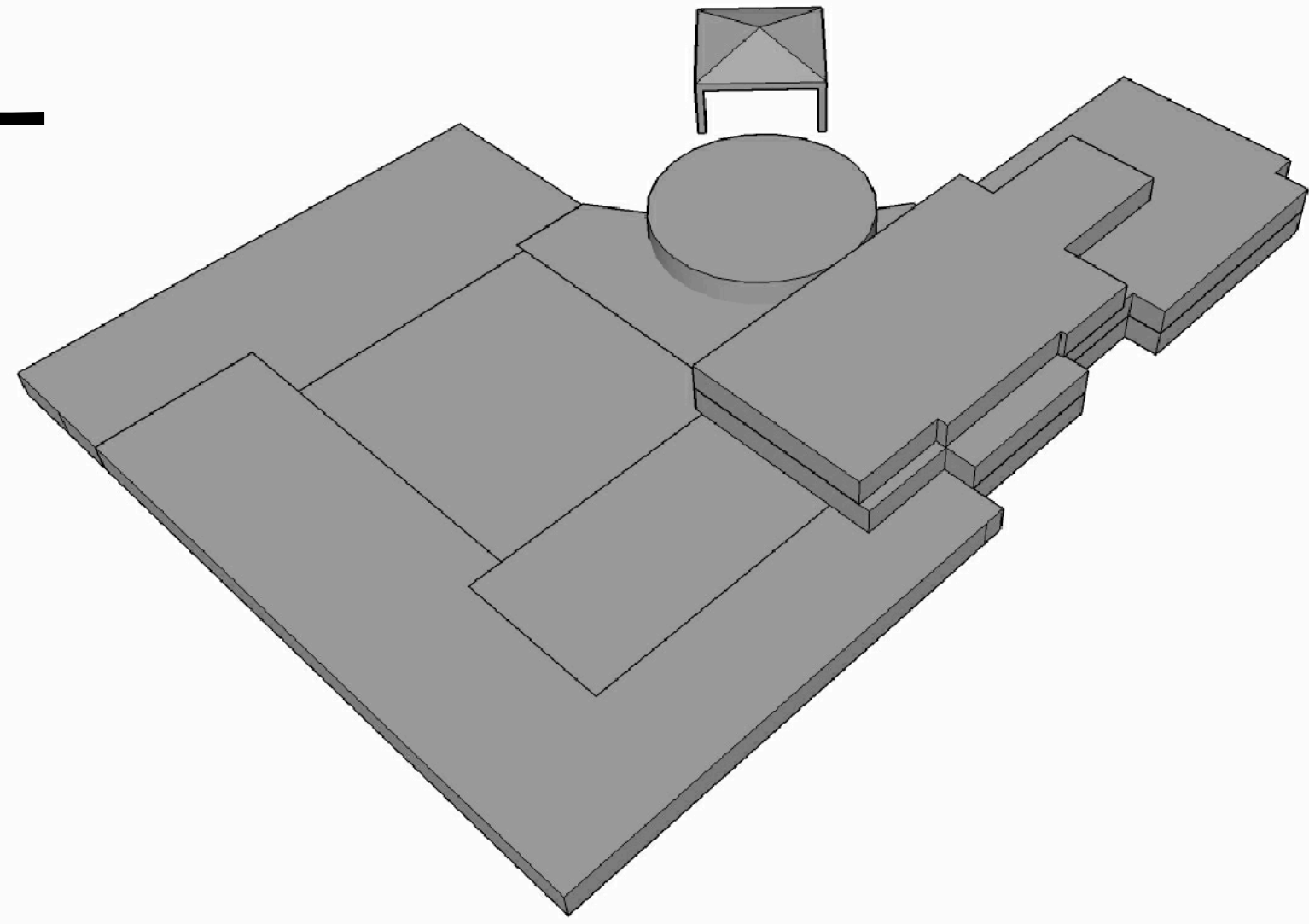
NASSAU, BAHAMAS CONSTRUCTION DOCUMENTS PHASE FOUR



SITE: NASSAU, BAHAMAS

TABLE OF CONTENTS

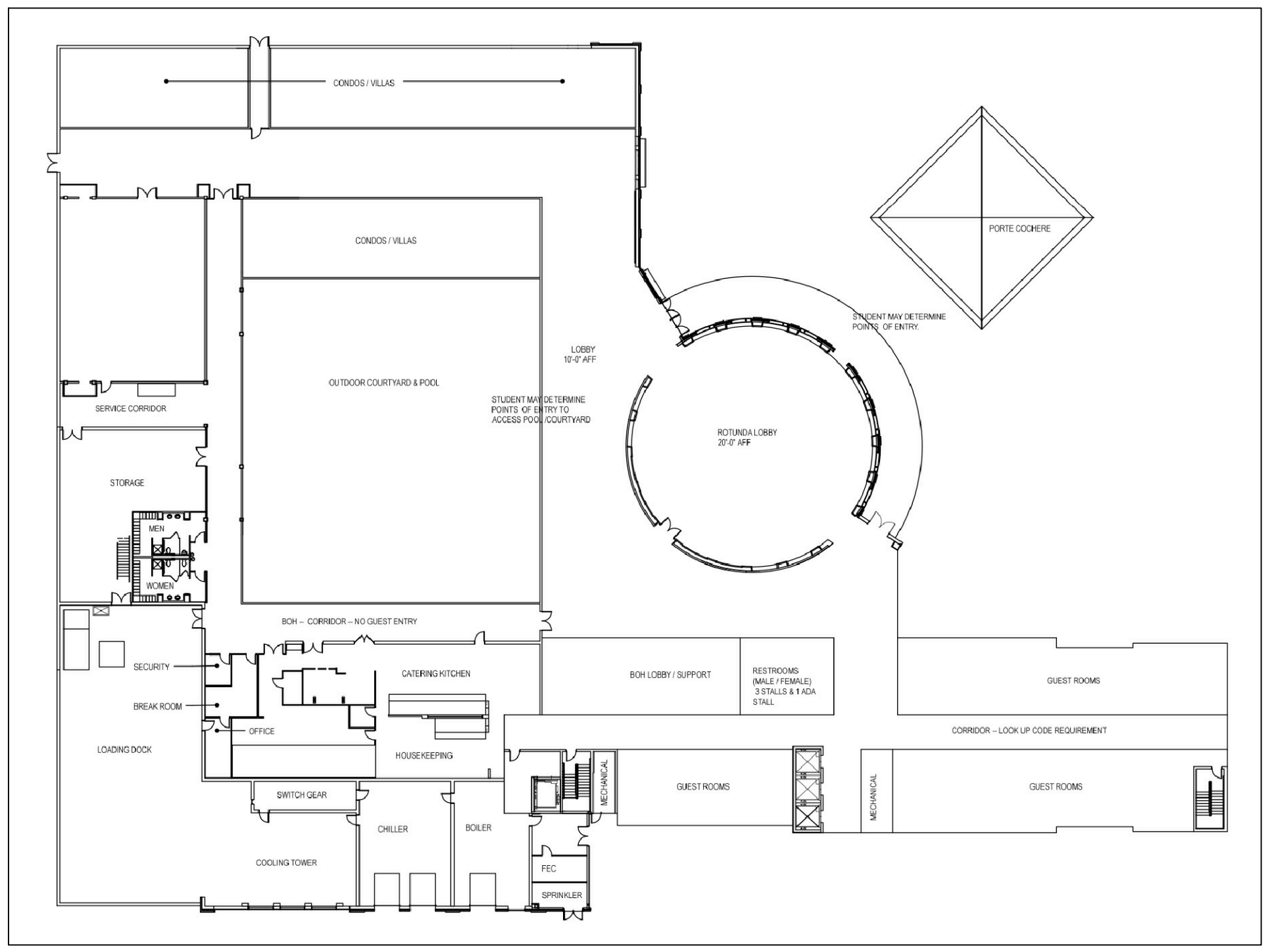
- A0 COVERSHEET
- A2 FLOOR PLANS
 - A2.1 FIRST FLOOR PLANS
 - A2.2 SECOND FLOOR PLANS
 - A2.3 THIRD FLOOR PLANS
 - A2.4 TYPICAL K-1 GUEST ROOMS
 - A2.5 TYPICAL K-2 GUEST ROOMS
 - A2.6 TYPICAL K-3 GUEST ROOMS
- A3 REFLECTED CEILING PLANS
 - A3.1 FIRST FLOOR RCP
 - A3.2 TYPICAL K-1 RCP
 - A3.3 TYPICAL K-2 RCP
 - A3.4 TYPICAL K-3 RCP
- A5 INTERIORS ELEVATIONS + DETAILS
 - A5.1 FIRST FLOOR (LOBBY) INTERIOR ELEVATIONS
 - A5.2 TYPICAL GUEST ROOM INTERIOR ELEVATIONS
- A6 SCHEDULES
 - A6.1 FINISHES + FURNITURE SCHEDULE FOR TYPICAL GUEST ROOMS
- A7 CODED FURNITURE PLANS
 - A7.1 TYPICAL K-1 CODED FURNITURE PLAN
 - A7.2 TYPICAL K-2 CODED FURNITURE PLAN
 - A7.3 TYPICAL K-3 CODED FURNITURE PLAN



RENDERED LOBBY VIEW

AREAS OF WORK

- 1 PUBLIC SPACES
 - PORTE COCHERE
 - LOBBY - ROTUNDA
 - LOBBY - BACK OF LOBBY
 - CORRIDORS
- 2 PRIVATE SPACES
 - FLOORS 1, 2, 3
 - SCHEMES (K) 1, 2, 3
 - ROOMS - DOUBLE QUEEN, KING
 - SUITES - DOUBLE QUEEN, KING



MALLY PRIEST
INTERIORS
348 NORTH COLLEGE ST.
AUBURN, AL 36830
mcp0017@auburn.edu
832 257 4997

THE ISLAND HOUSE
Nassau, Bahamas
Construction Documents
Phase Four

Revisions:

CONSTRUCTION DOCUMENTS
PERMIT SET

SCALE	A0
N/A	
DATE	COVER SHEET
DEC 8, 15	